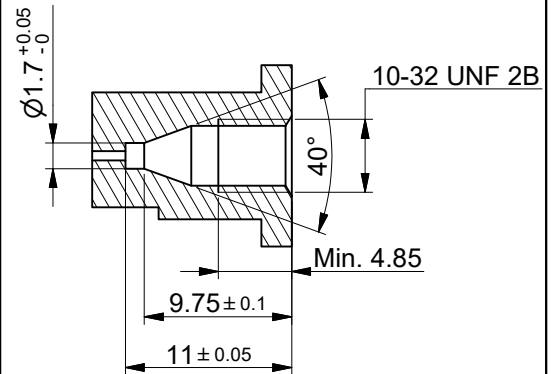


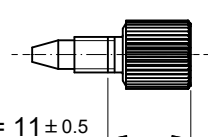
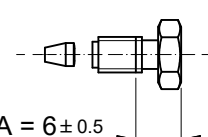
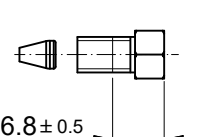
Adapter chamber specs.



For all series:


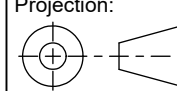
When using adapters
total length = 40 + (2 x A)

Dimensions subject to change without notice.

Adapter peek Fingertight 1/16"	Adapter SS HP 1/16"	Adapter peek HP 1/16"
 $A^* = 11 \pm 0.5$	 $A = 6 \pm 0.5$	 $A^* = 6.8 \pm 0.5$

*) Dimension A for peek applications is typical finger-tight

Tolerances $\pm 0.2\text{mm}$ unless otherwise mentioned

Title: Dimensional drawing LM02		Drawer : M.B.	Revision Description: Rebranding Bronkhorst.	
		Date: 18-01-2011		
		Checked : J.E.		
		Date: 23-11-2016	Rev. by: R.Ge.	Scale: 1:1
 WWW.BRONKHORST.COM		Projection:  Third Angle Dimensions: Metric (mm)	Drawing no.: 7.05.823	Rev.: E Page: 1-1